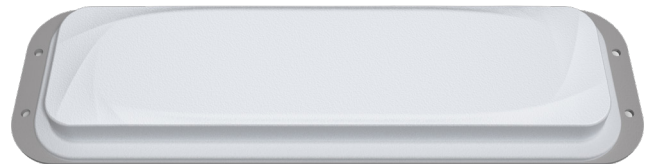


INVENGO XC-AF900R1



About Invengo's XC-AF900R1 Antenna

Invengo's XC-AF900R1 linear polarized antenna offers high gain and covers the frequency band of 902MHz~928MHz. It adopts CN and FCC standards. The antenna is uniquely designed with a high protection level, excellent RF performance and easy installation. The XC-AF900R1 antenna is ideal for intelligent transportation systems, road/bridge/port vehicle management, digital warehouse management and logistics applications.



Invengo – The global leading RFID and IoT solution provider – is a leading developer and manufacturer of high quality, intelligent RAIN RFID and HF/NFC connectivity solutions and consumables (tags & inlays) utilized in the Internet of Things. With a focus on RFID innovation, Invengo has created a leading product line in retail, library, (public) transportation, healthcare, and many other industries.

Invengo Technology Pte. Ltd. (SG) is the International Headquarters of Invengo Information Technology Co., Ltd, listed on Shenzhen Stock Exchange (SZSE: 002161.SZ). Employing over 700 people globally, Invengo is one of the largest publicly traded, RFID / IoT oriented companies in the world.

Features

- Applied on UHF RFID and adopts CN&FCC
- High gain and linear polarization
- IP rating: IP65
- Durable and graceful design

Application

- Vehicle management
- Warehouse management
- Logistics

Product Specifications

Performance Parameter

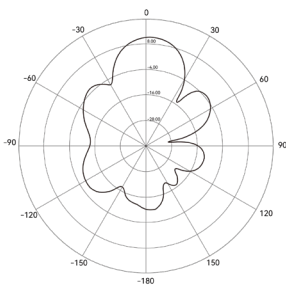
Operating Frequency	902MHz to 928MHz (CN&FCC)
VSWR	≤1.3:1
Gain	11dBi
H-Plane HPBW	84°
E-Plane HPBW	27°
Polarization	Linear
Impedance	50Ω
Connector	Tpye N

Environment

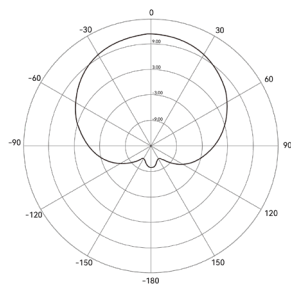
Operating Temperature	-40°C to +85°C
Storage Temperature	-40°C to +85°C
Humidity Range	≤95%RH

Physical Parameters

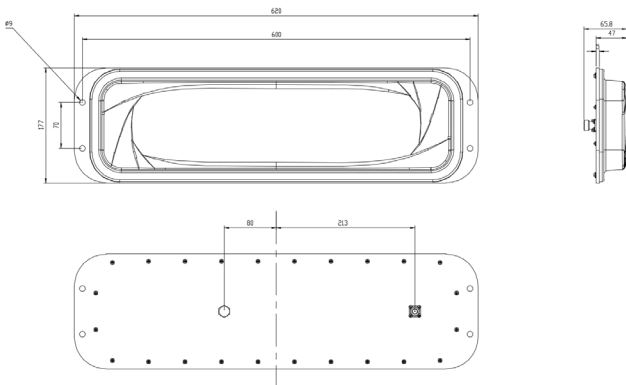
Length	620 mm (24.41 in)
Width	177 mm (6.97 in)
Thickness excluding connector	47 mm (1.85 in)
Thickness including connector	65.8 mm (24.41 in)
Weight	2.4kg
Radome material	Modified ASA
IP rating	IP65
Installation	Bracket or Bolt



E-Plane HPBW



H-Plane HPBW



XC-AF900R1 Antenna Technology Specification

All Features and specifications described are subject to change without notice.

APAC / EMEA

Inveno Technology Pte. Ltd

9 Kallang Place
#07-01 Singapore 339154

Office: +65 6702 3909
sales@inveno.com

Americas Sales

Inveno Technology Corp.536

Silicon Drive, Suite
100 Southlake Texas 76092
United States of America

Office: +1 919 523 0919
sales.americas@inveno.com

Global Library Solutions

FE Technologies Pty Ltd

129 Fyans Street
SOUTH GEELONG
Australia 3220

Office: +1 300 731 991
enquiries@fetechgroup.com

Global Handhelds Solutions

ATID CO.,LTD.

#603, 184, Gasan Digital 2-Ro,
Gumcheon-Gu, Seoul,
Korea, 08501

Office: +82 544 1436
inquiry@atid1.com